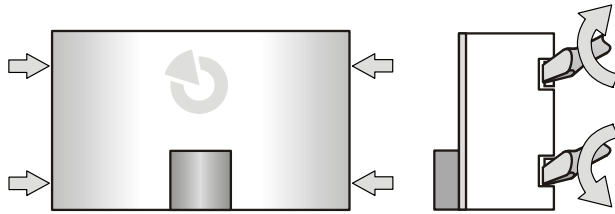


# The JA-112I BUS section/output activation indicator

The JA-112I is a component of the JABLOTRON system. It is used for the optical indication of the status of individual system sections (set/unset) or the status of programmable outputs. The indicator should be installed by a trained technician with a valid certificate issued by an authorized distributor.

## Installation



1. Open the indicator cover by loosening the four tabs by twisting them in the direction indicated by the arrows using a suitable screwdriver.
2. Remove the board from the base by pressing the tab (1).

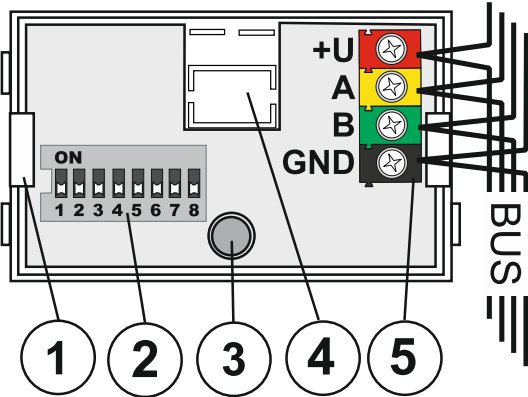


Figure 1: 1 – board tab; 2 – configuration switches; 3 – red indicator LED; 4 – punchable opening; 5 – BUS terminals

3. Use the switches (2) to set the section number (see Tab. 1) or PG output (see Tab.2) which should be indicated.
4. Push the cable through the hole (4) punched in the base and attach the base to the selected place.
5. Push the indicator board back in place and connect the BUS cable to the terminals (5).



**When connecting the module to the system BUS, always switch the power off.**

**If the indicator is installed outside the protected area, a JA-110T BUS insulator should be used.**

6. When you have switched the system on, test the functioning of the indicator.
7. Reinsert the indicator cover.

ON 1 2 3 4 5 6 7 8	SC	ON 1 2 3 4 5 6 7 8	SC
1		9	
ON 1 2 3 4 5 6 7 8	SC	ON 1 2 3 4 5 6 7 8	SC
2		10	
ON 1 2 3 4 5 6 7 8	SC	ON 1 2 3 4 5 6 7 8	SC
3		11	
ON 1 2 3 4 5 6 7 8	SC	ON 1 2 3 4 5 6 7 8	SC
4		12	
ON 1 2 3 4 5 6 7 8	SC	ON 1 2 3 4 5 6 7 8	SC
5		13	
ON 1 2 3 4 5 6 7 8	SC	ON 1 2 3 4 5 6 7 8	SC
6		14	
ON 1 2 3 4 5 6 7 8	SC	ON 1 2 3 4 5 6 7 8	SC
7		15	
ON 1 2 3 4 5 6 7 8	SC	SECTION: SET	
8			

Tab. 1 - Section indication setting

ON 1 2 3 4 5 6 7 8	PG	ON 1 2 3 4 5 6 7 8	PG	ON 1 2 3 4 5 6 7 8	PG	ON 1 2 3 4 5 6 7 8	PG
1		9		17		25	
ON 1 2 3 4 5 6 7 8	PG	ON 1 2 3 4 5 6 7 8	PG	ON 1 2 3 4 5 6 7 8	PG	ON 1 2 3 4 5 6 7 8	PG
2		10		18		26	
ON 1 2 3 4 5 6 7 8	PG	ON 1 2 3 4 5 6 7 8	PG	ON 1 2 3 4 5 6 7 8	PG	ON 1 2 3 4 5 6 7 8	PG
3		11		19		27	
ON 1 2 3 4 5 6 7 8	PG	ON 1 2 3 4 5 6 7 8	PG	ON 1 2 3 4 5 6 7 8	PG	ON 1 2 3 4 5 6 7 8	PG
4		12		20		28	
ON 1 2 3 4 5 6 7 8	PG	ON 1 2 3 4 5 6 7 8	PG	ON 1 2 3 4 5 6 7 8	PG	ON 1 2 3 4 5 6 7 8	PG
5		13		21		29	
ON 1 2 3 4 5 6 7 8	PG	ON 1 2 3 4 5 6 7 8	PG	ON 1 2 3 4 5 6 7 8	PG	ON 1 2 3 4 5 6 7 8	PG
6		14		22		30	
ON 1 2 3 4 5 6 7 8	PG	ON 1 2 3 4 5 6 7 8	PG	ON 1 2 3 4 5 6 7 8	PG	ON 1 2 3 4 5 6 7 8	PG
7		15		23		31	
ON 1 2 3 4 5 6 7 8	PG	ON 1 2 3 4 5 6 7 8	PG	ON 1 2 3 4 5 6 7 8	PG	ON 1 2 3 4 5 6 7 8	PG
8		16		24		32	

ON 1 2 3 4 5 6 7 8	PG	ON 1 2 3 4 5 6 7 8	PG	ON 1 2 3 4 5 6 7 8	PG	ON 1 2 3 4 5 6 7 8	PG
33		41		49		57	
ON 1 2 3 4 5 6 7 8	PG	ON 1 2 3 4 5 6 7 8	PG	ON 1 2 3 4 5 6 7 8	PG	ON 1 2 3 4 5 6 7 8	PG
34		42		50		58	
ON 1 2 3 4 5 6 7 8	PG	ON 1 2 3 4 5 6 7 8	PG	ON 1 2 3 4 5 6 7 8	PG	ON 1 2 3 4 5 6 7 8	PG
35		43		51		59	
ON 1 2 3 4 5 6 7 8	PG	ON 1 2 3 4 5 6 7 8	PG	ON 1 2 3 4 5 6 7 8	PG	ON 1 2 3 4 5 6 7 8	PG
36		44		52		60	
ON 1 2 3 4 5 6 7 8	PG	ON 1 2 3 4 5 6 7 8	PG	ON 1 2 3 4 5 6 7 8	PG	ON 1 2 3 4 5 6 7 8	PG
37		45		53		61	
ON 1 2 3 4 5 6 7 8	PG	ON 1 2 3 4 5 6 7 8	PG	ON 1 2 3 4 5 6 7 8	PG	ON 1 2 3 4 5 6 7 8	PG
38		46		54		62	
ON 1 2 3 4 5 6 7 8	PG	ON 1 2 3 4 5 6 7 8	PG	ON 1 2 3 4 5 6 7 8	PG	ON 1 2 3 4 5 6 7 8	PG
39		47		55		63	
ON 1 2 3 4 5 6 7 8	PG	ON 1 2 3 4 5 6 7 8	PG	ON 1 2 3 4 5 6 7 8	PG	ON 1 2 3 4 5 6 7 8	PG
40		48		56		64	

ON 1 2 3 4 5 6 7 8	PG	ON 1 2 3 4 5 6 7 8	PG	ON 1 2 3 4 5 6 7 8	PG	ON 1 2 3 4 5 6 7 8	PG
65		73		81		89	
ON 1 2 3 4 5 6 7 8	PG	ON 1 2 3 4 5 6 7 8	PG	ON 1 2 3 4 5 6 7 8	PG	ON 1 2 3 4 5 6 7 8	PG
66		74		82		90	
ON 1 2 3 4 5 6 7 8	PG	ON 1 2 3 4 5 6 7 8	PG	ON 1 2 3 4 5 6 7 8	PG	ON 1 2 3 4 5 6 7 8	PG
67		75		83		91	
ON 1 2 3 4 5 6 7 8	PG	ON 1 2 3 4 5 6 7 8	PG	ON 1 2 3 4 5 6 7 8	PG	ON 1 2 3 4 5 6 7 8	PG
68		76		84		92	
ON 1 2 3 4 5 6 7 8	PG	ON 1 2 3 4 5 6 7 8	PG	ON 1 2 3 4 5 6 7 8	PG	ON 1 2 3 4 5 6 7 8	PG
69		77		85		93	
ON 1 2 3 4 5 6 7 8	PG	ON 1 2 3 4 5 6 7 8	PG	ON 1 2 3 4 5 6 7 8	PG	ON 1 2 3 4 5 6 7 8	PG
70		78		86		94	
ON 1 2 3 4 5 6 7 8	PG	ON 1 2 3 4 5 6 7 8	PG	ON 1 2 3 4 5 6 7 8	PG	ON 1 2 3 4 5 6 7 8	PG
71		79		87		95	
ON 1 2 3 4 5 6 7 8	PG	ON 1 2 3 4 5 6 7 8	PG	ON 1 2 3 4 5 6 7 8	PG	ON 1 2 3 4 5 6 7 8	PG
72		80		88		96	

ON 1 2 3 4 5 6 7 8	PG	ON 1 2 3 4 5 6 7 8	PG	ON 1 2 3 4 5 6 7 8	PG	ON 1 2 3 4 5 6 7 8	PG
97		105		113		121	
ON 1 2 3 4 5 6 7 8	PG	ON 1 2 3 4 5 6 7 8	PG	ON 1 2 3 4 5 6 7 8	PG	ON 1 2 3 4 5 6 7 8	PG
98		106		114		122	
ON 1 2 3 4 5 6 7 8	PG	ON 1 2 3 4 5 6 7 8	PG	ON 1 2 3 4 5 6 7 8	PG	ON 1 2 3 4 5 6 7 8	PG
99		107		115		123	
ON 1 2 3 4 5 6 7 8	PG	ON 1 2 3 4 5 6 7 8	PG	ON 1 2 3 4 5 6 7 8	PG	ON 1 2 3 4 5 6 7 8	PG
100		108		116		124	
ON 1 2 3 4 5 6 7 8	PG	ON 1 2 3 4 5 6 7 8	PG	ON 1 2 3 4 5 6 7 8	PG	ON 1 2 3 4 5 6 7 8	PG
101		109		117		125	
ON 1 2 3 4 5 6 7 8	PG	ON 1 2 3 4 5 6 7 8	PG	ON 1 2 3 4 5 6 7 8	PG	ON 1 2 3 4 5 6 7 8	PG
102		110		118		126	
ON 1 2 3 4 5 6 7 8	PG	ON 1 2 3 4 5 6 7 8	PG	ON 1 2 3 4 5 6 7 8	PG	ON 1 2 3 4 5 6 7 8	PG
103		111		119		127	
ON 1 2 3 4 5 6 7 8	PG	ON 1 2 3 4 5 6 7 8	PG	ON 1 2 3 4 5 6 7 8	PG	ON 1 2 3 4 5 6 7 8	PG
104		112		120		128	

Tab. 2 - PG output indication setting

# The JA-112I BUS section/output activation indicator

## Notes:

- The indicator does not occupy any position in the control panel (it is not enrolled to the system).
- If you enroll multiple indicators with identical settings to the system, they will indicate identically.
- The number of indicators is only limited by the power consumption from the BUS.

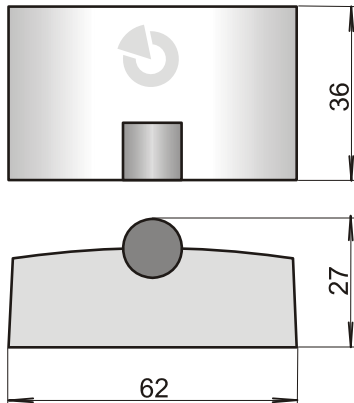


Figure 2: The JA-112I indicator dimensions

## Technical specifications

Power	from control panel BUS 12 V DC (9...15 V)
Standby power consumption (LED on/off)	6 mA/3 mA
Current consumption for cable selection	5 mA
Dimensions	62 x 36 x 27 mm,
Weight	26 g
Operational environment	indoor general
Operational temperature range	-10 °C to +40 °C
Average operational humidity	75 % RH, non-condensing
Complies with	EN 50130-4 ed. 2+A1, EN 55032, EN 50581



JABLOTRON ALARMS a.s. hereby declares that the JA-112I is in a compliance with the relevant European Union harmonisation legislation: Directives No: 2014/30/EU, 2011/65/EU, when used as intended. The original of the conformity assessment can be found at [www.jablotron.com](http://www.jablotron.com) – Section Downloads.



**Note:** Disposing of this product correctly will help save valuable resources and prevent any potential negative effects on human health and the environment, which could otherwise arise from inappropriate waste handling. Please return the product to the dealer or contact your local authority for further details of your nearest designated collection point.

