

Installation manual: CA-1802 "Athos"

Before installation

This is the basic version of the installation manual and programming sequences. On the web site www.jabltronalarms.com in the download section you can find an extended version of this manual or you can find it included in the installation kit on CD / DVD. **If you have no experience with CA-1802 installation, we recommend you to read the extended version of the manual to know all the parameters well.**

The immobilizer relay contact of car alarm is connected only in disarmed mode and if the ignition is on. Do not block circuits that are under voltage while the ignition is off. It could cause a serious damage of the vehicle.

The car-alarm should only be installed by a professional installer. It is suitable for cars with a dashboard voltage supply of 12V or 24V with a negative ground connection. During the first power-up, the value of supply voltage is read and the inputs are set to default settings. The alarm is designed to be installed inside the car.

For cars with a voltage supply of 24V, the following restrictions apply to car alarm installation:

1. It is not possible to connect a hands-free set of type HF-03.
2. When used for acoustic signalling, the SIR output is switched to the power supply voltage. Consequently, this output switches to 24V, so it is necessary to use a siren of type SA-606-24V instead of the SA-530 which is supplied in the standard package. In this case it is necessary to set the confirmation beeps to 100 ms.

Configuration table

SIM entry*	SMS instruction Text	Description
RESET EN 1 (After which, the entry is erased from the SIM)	MASTER RESET EN 1	Mode setting. RESET 1 = alarm has its own remote control and provides signals for central locking. RESET 2 = alarm is operated by an original remote controller for central locking. RESET 3 = GSM pager for cars with an installed car alarm. Performing the RESET instruction is indicated by 4 beeps. Consequently, all settings, enrolled remote controllers and wireless detectors will be erased.
Not applicable	MASTER UC xxxx	User code setting – the code allows you to operate the alarm remotely via SMS from unauthorized phones. uuuu is a new user code, 4 to 8 letters (A–Z & 0–9, case insensitive). Factory default user code is USER
Not applicable	MASTER MC xxxx	Master code setting –xxxx is a new master code (A–Z & 0–9, case insensitive). The code allows you to change the maintenance settings for the car alarm. Factory default master code is MASTER
TELn xx...x	MASTER TELn xx...x	Setting of phone numbers to report alarms to n = 1 to 4
DIALn xx...x	MASTER DIALn xx...x	Setting the phone numbers to dial using Hands free. n = A, B, 1, 2
DIP abcdefghij	MASTER DIP abcdefghij	DIP parameter entry – see the DIP table
SET abcdefghij	MASTER SET abcdefghij	SET parameter entry – see the SET table

DIP parameters

DIP	Description	
	0	1
A	0 = silent arming/disarming without siren chirps 1 = 10 ms siren chirps when arming/disarming (non backed-up siren) 2, 3, 4 ... 9 = siren chirps when arming/disarming (a siren of another type) lasting 20, 30, 40, 50, 100, 200, 300 or 500 ms	SMS alarm report and siren sound phone call
B	Silent alarm	Audible alarm
C	SMS alarm report only	SMS remote control instructions confirmed by SMS reply
D	SMS remote control not confirmed by SMS reply	SMS alarm report and siren sound phone call
E	0 = arming control by dialling in disabled 1 = arming control by dialling from TEL1 enabled 2 = arming control by dialling from TEL1 and TEL2 enabled 3 = arming control by dialling from TEL1, TEL2 and TEL3 enabled 4 = arming control by dialling from all TEL1 to TEL4 enabled	SMS remote control instructions confirmed by SMS reply
F	Arming control by dialling in is not confirmed by SMS	Arming control by dialling in (see E) is confirmed by SMS to the phone which called the car alarm
G	User can not change SMS Texts	User can change SMS texts by TXT Sequence
H	REARM disabled	If the car is not entered within 1 minute after disarming, it will REARM
I	0 = Immobilization by arming and by SMS instruction 1 = Immobilization by arming and automatically 5 minutes after ignition is turned off (AUTOIMO) and also by SMS instruction 2 = Immobilization only by SMS instruction 3 = Immobilization and also by SMS instruction. If disarmed and ignition is turned off for more than 60 minutes the SMS STATUS is sent as an alert to possible forgotten arming.	SMS remote control instructions confirmed by SMS reply
J	Self-location disabled	The car's location will be sent by SMS after an IMO instruction has been performed.

Bold marked values = factory default

Steps to enroll RC-8x controllers:

1. The car alarm should be disarmed, with the ignition on.
2. Send the SMS instruction MASTER LEARN RC
3. The car alarm beeps 3 times and an LED starts to flash.
4. The RC-8x controller is enrolled by pressing buttons **6** and **0** simultaneously for approx. 3 sec. A siren chirp confirms the enrollment. By enrolling the first remote control all other remote controls previously enrolled will be erased (so enroll all the controllers intended for use, one by one).
5. Exit enrollment by turning the ignition off. The alarm confirms the enrollment by sending an SMS message to authorized phones TEL1 to TEL4.

SET parameters

SET	Description	
	0	1
A	0 = open door signalling and INP activation while arming are both disabled 1 = open door signalling and INP activation while arming are both enabled 2 = INP activation while arming enabled, open door signalling enabled with a 10 second delay 3 = INP activation while arming enabled, open door signalling disabled	SMS alarm report and siren sound phone call
B	Voltage detector disabled	Voltage-drop detector enabled
C	lock / unlock signal duration (Reset 1) 0 = 0.5 / 0.5 sec (suitable for electromagnetic locks) 1 = 4 / 4 sec (suitable for pneumatic locks) 2 = 60 / 0.5 sec (suitable for automatic window closing)	SMS remote control instructions confirmed by SMS reply
D	DOOR input logic: 1 = activated by falling edge (grounding) 2 = activated by rising edge (disconnecting from GND)	SMS alarm report and siren sound phone call
E	INP1 logic: 1 = activated by falling edge (grounding) 2 = activated by rising edge (disconnecting from GND)	SMS remote control instructions confirmed by SMS reply
F	INP2 logic: 0 = activated by falling edge (grounding), it triggers an alarm also if disarmed (24 hour reaction) 1 = activated by falling edge (grounding) 2 = activated by rising edge (disconnecting from GND)	SMS alarm report and siren sound phone call
G	Central locking input logic: (Reset 2) 1 = activated by falling edge (grounding) 2 = activated by rising edge (disconnecting from GND)	SMS remote control instructions confirmed by SMS reply
H	0 = confirmation by turn lights for disarming is needed (Reset 2) 1 = confirmation by turn lights for arming and disarming is needed 2= confirmation by turn lights for arming and disarming is not needed so INP1 can be used as an alarm input	SMS alarm report and siren sound phone call
I	Do not turn off the GSM module automatically. (Reset3)	Turn the GSM module off after 30 minutes of inactivity. (Reset3)
J	0 = AUX output is a bus for communication with CR-11A modules 1 = AUX output provides power for external sensors	SMS remote control instructions confirmed by SMS reply

Bold marked values = factory default

Steps to enroll detectors:

1. The car alarm should be disarmed, ignition on.
2. To enroll the **internal** detectors, send the SMS command MASTER LEARN INT (To enroll the **external** detectors, send the SMS command MASTER LEARN EXT)
3. The car alarm beeps 3 times and an LED starts to flash.
4. You can enroll a new detector to the system by inserting its batteries. If you enroll a first detector, you will erase all detectors from the associated groups (enroll all of them, which will be used in the group in sequence).

- Exit enrollment by turning the ignition off. The alarm confirms enrollment by sending an SMS message to authorized phones TEL1 to TEL4.

Internet remote access

The web site www.GSMLink.cz enables car alarm remote control (to users) and setting (to installers).

To get internet access to an installed and powered car alarm you will first be asked to register your car alarm on the first page. You will find a unique registration code for your car alarm on the warranty card.

Additional features

1. Pre-paid SIM card balance

It is recommended not to use prepaid cards in the car alarm. If you have no other choice than prepaid cards, you can enable the CREDIT instruction by the following sequence:

MASTER CREDIT uuu..u xx yyy zz

where: **uuu...u** is the provider's code to obtain the balance

xx is the time period (in days) for regular checking

yyy is the threshold level below which the balance is reported to the user (TEL1)

zz is the position of the first digit of the balance in the reply SMS from the provider

- After this sequence has been sent once, the car alarm will check the balance automatically every xx days and if the balance is lower than yyy the user will be notified (TEL1)
- If the CREDIT instruction is enabled in the above way, the user can also obtain the current balance by the instruction CREDIT
- To disable the automatic balance checking set the time period "xx" to 00.

2. Reset GSM

If you need to disconnect and then reconnect the GSM module to the GSM network, then use the command "MASTER RESET GSM".

This does not affect any settings and is typically used for GPRS activation or charging up credit. This command always requires the Master code.

3. Service instruction

The DINFO instruction allows you to obtain current settings, information about the quality of the GSM signal, the registration code for GSMLink devices and some other parameters. This command always requires the Master code.

Example of instruction: **MASTER DINFO**

Example of response: Car alarm reports: CA-1802A, SN:123456, SV:01, LV:03, RK:ABCDE-12345-FG67, R:01, GSM:25, Time:3.2.06 11:35

CA-1802A	car alarm version
SN:123456	identification number of the product
SV:01	software version
LV:03	language version
RK: ABCDE-12345-FG67	registration code for GSMLink
R:01	current Reset mode of the device
GSM:25	instant quality of GSM signal (ranging from 0 to 32 (best))

Specification

Power supply	12/24V DC (8-32V)
Stand-by consumption	max. 20 mA
Immobilization	8A permanently, 12A intermittently
Complies with	ECE Regulation No. 97.00
Can be operated according to ERC/DEC98(20,21), ERC REC 70-03	
Safety	EN 60950-1
EMC	EN 55022, EN 50130-4
Radio interference	ETSI EN 301 419-1, EN 301 511, ETSI EN 300 220 ETSI EN 300 328

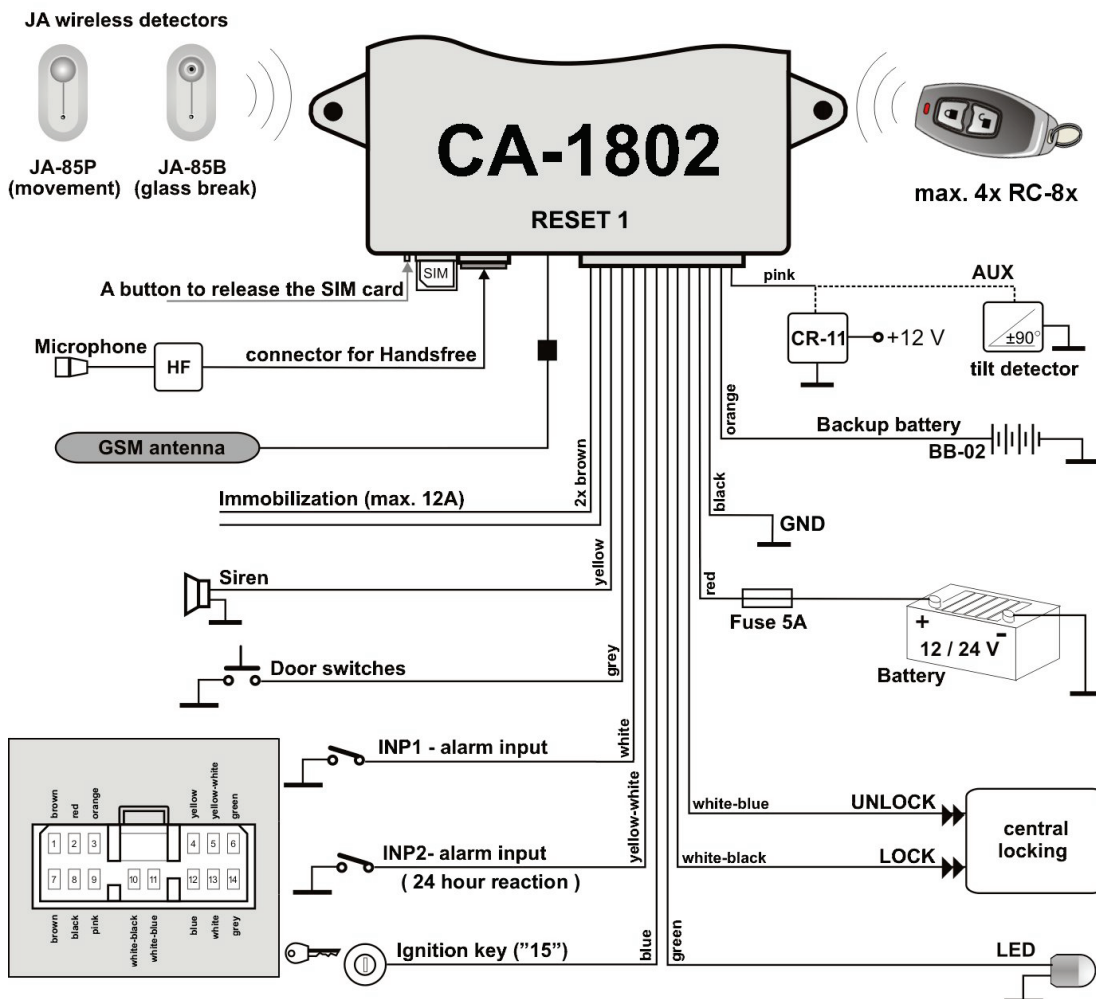
E₈ 97 RAI-01 4532



JABLOTRON ALARMS a.s. hereby declares that the CA-1802 is in a compliance with the relevant Union harmonisation legislation: Directives No: 2014/53/EU, 2014/35/EU, 2014/30/EU, 2011/65/EU. The original of the conformity assessment can be found at www.jablotron.com - Section Downloads.



Note: Although this product does not contain any harmful materials we suggest you return the product to the dealer or directly to the producer after use.



JABLOTRON
CREATING ALARMS

JABLOTRON ALARMS a.s.
Pod Skalkou 4567/33
46601 Jablonec nad Nisou
Czech Republic
Tel.: +420 483 559 911
Fax: +420 483 559 993
Internet: www.jablotron.com